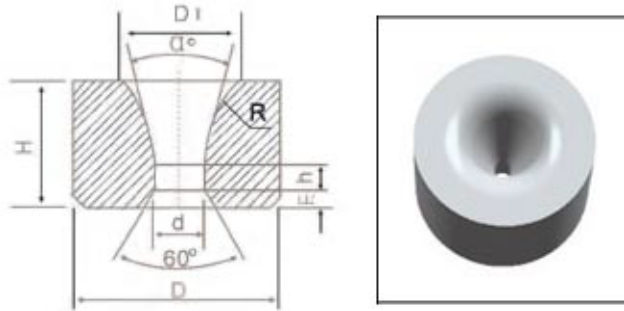




Cemented Carbide Drawing Dies



Unit: mm

Type	D	H	d	D1	R
CTC-K10-0090600-d	9	6	0.4-1.0	6.3	3
CTC-K10-0120800-d	12	8	0.5-2.5	8.5	5
CTC-K10-0151000-d	15	10	0.6-3.9	10.2	7
CTC-K10-0201400-d	20	14	1.0-5.5	14.2	10
CTC-K10-0251800-d	25	18	5.3-7.7	18	14
CTC-K10-0302200-d	30	22	6.7-11.7	21	15
CTC-K10-0352500-d	35	25	7.7-12.8	25	17
CTC-K10-0402700-d	40	27	10.3-15.3	29	21
CTC-K10-0503000-d	50	30	14.4-19.4	38	25
CTC-K10-0603500-d	60	35	18.5-25.5	46	31
CTC-K10-0704000-d	70	40	24.5-31.5	54	38
CTC-K10-0804500-d	80	45	30.5-38.5	62	46
CTC-K10-0905000-d	90	50	38.0-46.0	70	54
CTC-K10-1005000-d	100	50	45.0-54.0	78	60